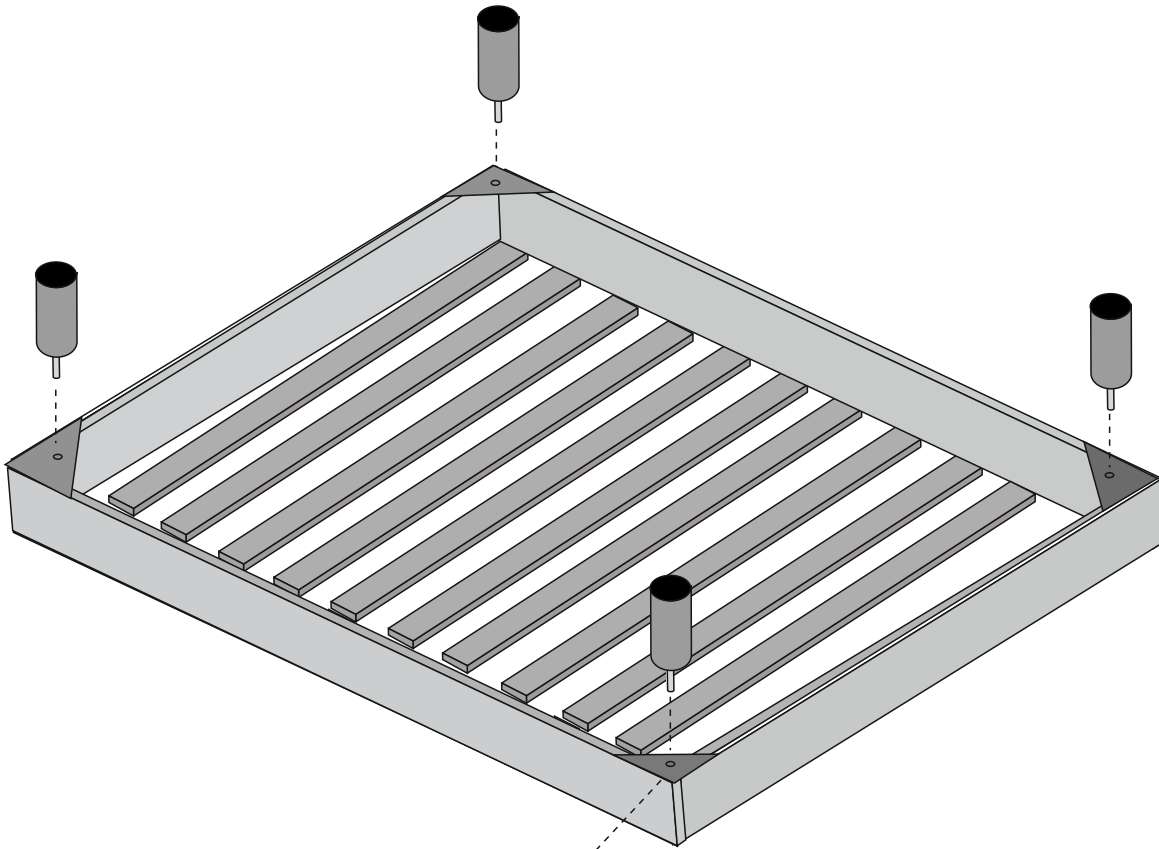
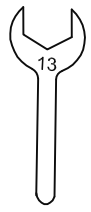


LEG ASSEMBLING



Note!

**Please attach the leg gently.
Do not use too much strength
while screwing washer
and the nut.**

